



Laser Marking System

F8400 Series Laser

F8400 series UV laser printer is developed with 355nm UV laser, which is especially suitable for ultra-fine marking, special material marking, such as food, tobacco, medicine, electronic components, chemicals, building materials, painted metal surface, glass and other applications due to its extremely small focusing spot and minimal processing heat and impact on the deformation of the material. F8400 series is the first choice for customers with high standard of marking quality.

High Efficiency

- ✦ High-speed digital galvanometer system to ensure high speed and accuracy
- ✦ Scientific and accurate vector planning logic to reduce marking period
- ✦ Ultra-high-speed makes up to 150,000 marking per hour
- ✦ Ultraviolet wave length laser beam makes high speed flying marking on HDPE/LDPE packaging possible.

High Quality

- ✦ "Cold processing" with small focal spot and heat effect ensures the minimization of damage to packaging
- ✦ Fine and non-erasable marking to help on realization of traceability and anti-counterfeiting in the whole product life cycle
- Achievable high-contrast with great visual readability
- ✦ ability on white HDPE/LDPE packaging



Non-Stop

- ✦ No consumables in daily operation and no needs of daily mechanical maintenance procedures will effectively extend the up-time
- ✦ Air cooled laser source will maximize machine utilization and reduce the unplanned downtime
- ✦ Fully enclosed maintenance-free optical system and no adjustment required ensures the stability of the entire system

Easy To Operate

- ✦ Flexible integrated solution with multiple standard beam transmission options
- ✦ Highly integrated modular design ensures simple and easy installation and maintenance
- ✦ Intuitive touch screen interface, easier to edit information, simple to learn, support a variety of communication methods

F8400 Series

Laser Marking System

Marking speed

Up to 2,000 characters/second⁽¹⁾

Line speed

Up to 200/min⁽¹⁾

Focus options

Standard F160 (100x100)

Optional F100 (70x70) , F210 (140x140) ,

F254 (170x170) , F330 (220x220)

Wave lengths

355nm

Marking format

Standard industrial fonts (Type1/Windows®/TrueType®) and single line font machine readable codes (OCR, 2D matrix, etc)

Bar codes: code128A, code128B, code128C, code39, code93,

QR-Code, Data Matrix, Aztec-Code, Han Xin-Code

Graphics, Logos, symbols, etc

Linear, circular, angular, reverse, rotate sequential and batch numbering

Automatic date, layer and time code, real time clock

Dot model will be faster for marking

Laser tube

Solid-state UV laser

Beam deflection

Steer beam with digital high-speed galvanometer scanners

User interface

Personalized touch control screen, humanized operation, easy to learn

⁽¹⁾: Maximum marking and line speed is application dependent

Communication

UDP, TCP/IP and RS232

Inputs for encoder and product detector triggers

4 inputs/4 outputs for start/stop signals, machine/operator interlocks, alarm outputs;

In addition to the safety circuits

Customer-specific solutions available

Integration

Flexible beam delivery options (beam extension unit/beam turning unit)

Electrical requirement

110-240 VAC (To be noted when ordering), ~50/60 Hz, 1 PH, 0.70 kW

Cooling system

Air cooled

Environment

Temperature 5-40°C (41-104°F)

Humidity 10%-90%, no condensing

Sealing and safety standards

Cabinet: IP54 standard

Marking Unit: IP54 standard

Weight

Standard unit: approx. 28kg

Specific Model

F 8 4 X 1

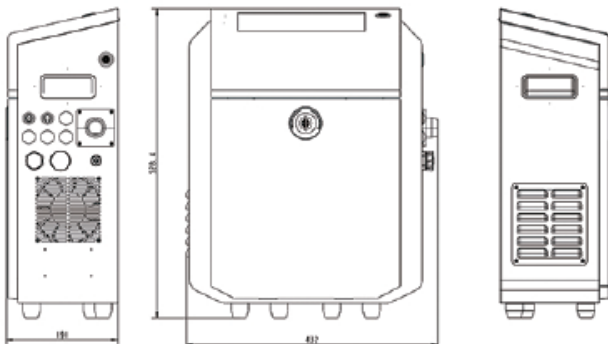
3: 3W

5: 5W

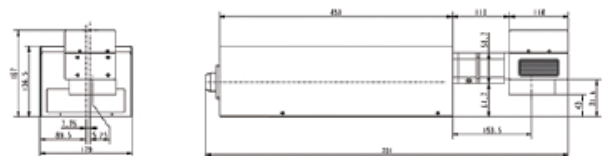
0: 10W

1: 355nm

Cabinet dimension



Marking unit dimension



CONTACT US: **SCS INKJET CODING SOLUTION | PT. Sumber Cipta Solusi**

Address Komplek Daan Mogot Baru, Jl Jimbaran Blok LA 14 No 6., Jakarta Barat 11840

Phone (021) 544 1932; 540 8937; 0812 992 8351 / 081806433959

Email marketing@scsmarking.com / alexanderglenn@scsmarking.com

Website: www.SCSMarking.com